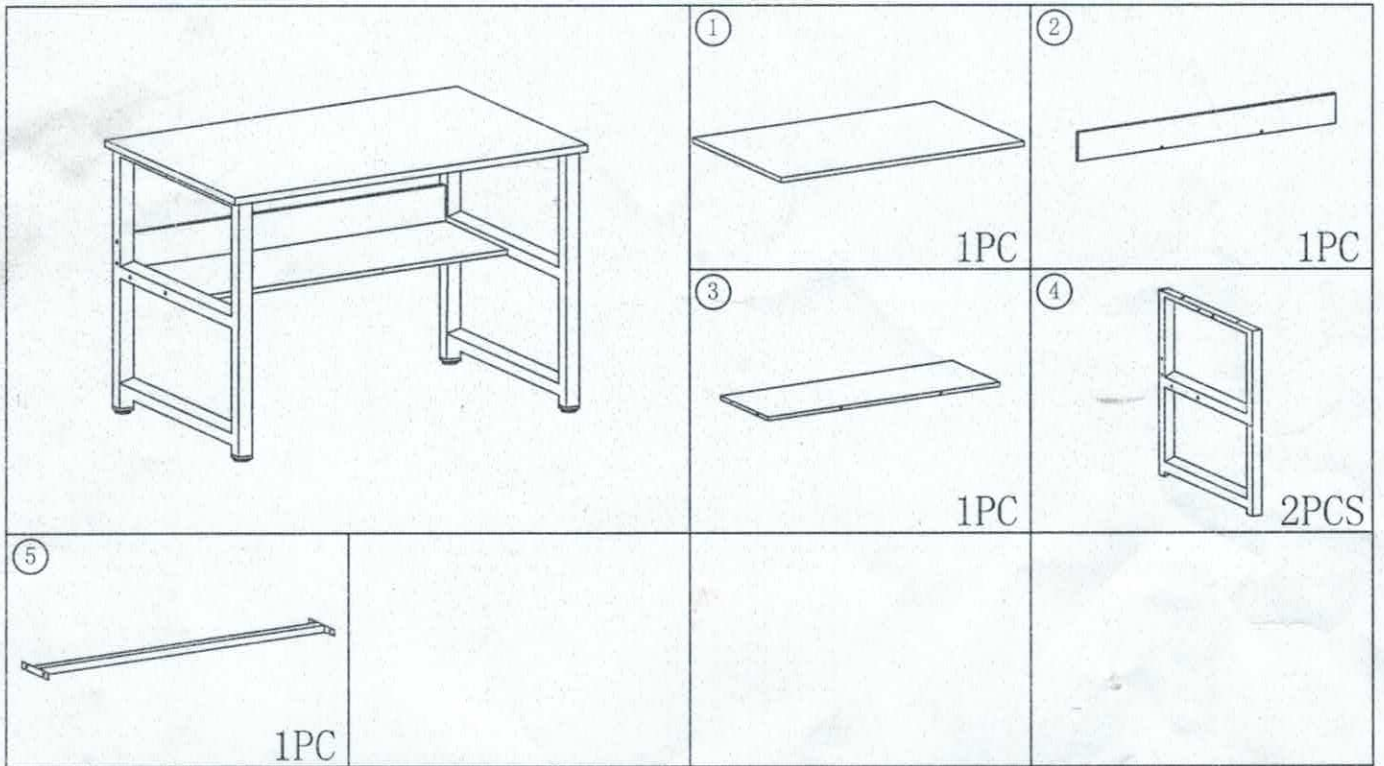


ASSEMBLY

INSTRUCTION



No.	PICTURE	SIZE	QTY	No.	PICTURE	SIZE	QTY
A		M6*30	4	E		ST5*50	2
B		M6*50	4	F		40*40	4
C		M6	4				1
D		ST5*70	8				1

